

232/2

— **PHYSICS** —  
(THEORY)

Paper 2

PDF Compressor Free Version



Apr. 2021 – 2 hours

Name ..... Index Number .....

Candidate's Signature ..... Date .....

**Instructions to candidates**

- (a) Write your name and index number in the spaces provided above.
- (b) Sign and write the date of examination in the spaces provided above.
- (c) This paper consists of **two** sections; **A** and **B**.
- (d) Answer **all** the questions in sections **A** and **B** in the spaces provided.
- (e) **All** working **must** be clearly shown in the spaces provided in this booklet.
- (f) Non-programmable silent electronic calculators may be used.
- (g) **This paper consists of 14 printed pages.**
- (h) **Candidates should check the question paper to ascertain that all the pages are printed as indicated and that no questions are missing.**
- (i) **Candidates should answer the questions in English.**

For Examiner's Use Only

Section	Question	Maximum Score	Candidate's Score
A	1–13	25	
B	14	9	
	15	11	
	16	11	
	17	13	
	18	11	
Total Score		80	

700

Download Notes & More Free Revision Materials at <https://teacher.co.ke/notes>



SECTION A (25 marks)

Answer all the questions in this section in the spaces provided

PDF Compressor Free Version

- 1. State the observation made on the image in a pin hole camera when the distance between the object and the pin hole is reduced. (2 marks)

.....

.....

.....

- 2. Figure 1 shows a gold leaf electroscope.

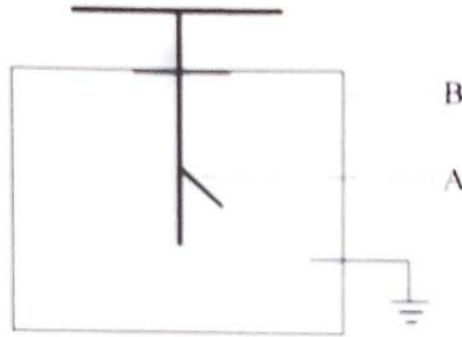


Figure 1

- (a) Name the part labelled A. (1 mark)

.....

- (b) State the function of the part labelled B. (1 mark)

.....

.....

- 3. State two measurements that should be taken for one to decide whether a lead acid accumulator is due for charging. (2 marks)

.....

.....

Teacher.co.ke

Download Notes & More Free Revision Materials at https://teacher.co.ke/notes

700

A060



4. Explain what happens to the speed of a water wave as it moves from the shallow to the deep end in a ripple tank. (2 marks)

**PDF Compressor Free Version**

5. The critical angle for a ray travelling from glass to air is  $42^\circ$ . Determine the refractive index of the glass. (3 marks)

6. Figures 2(a) and 2(b) show two circuit diagrams with identical lamps and identical cells.

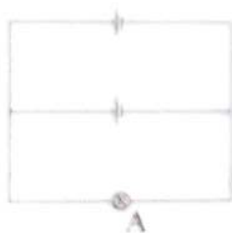


Figure 2(a)

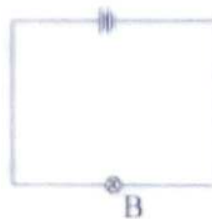
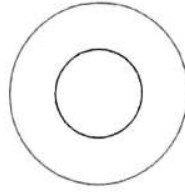


Figure 2(b)

State with a reason which of the bulbs will be brighter. (2 marks)

7. **Figure 3** shows an annular ring.

**PDF Compressor Free Version**



**Figure 3**

On the diagram, sketch the distribution of the charge on the ring, when the ring is negatively charged. (1 mark)

8. When iron filings are sprinkled onto a bar magnet, it is observed that there are more iron filings at the ends than in the middle. Explain this observation. (2 marks)

.....

.....

.....

.....

9. Draw a diagram to show a *p-n junction* connected in the reverse bias mode. (2 marks)

10. A broadcasting station produces radio waves of wavelength 800 m. Determine their frequency. (speed of air is  $3 \times 10^8 \text{ ms}^{-1}$ ) (2 marks)

.....

.....

.....



- 11. Explain how x-rays are produced in the x-ray tube. (2 marks)

..... **PDF Compressor Free Version** .....

.....

.....

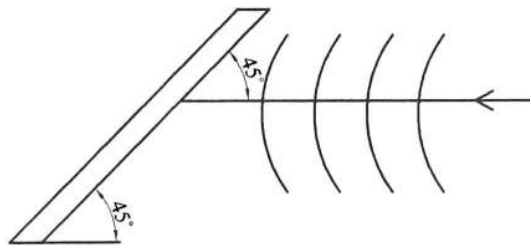
- 12. State the purpose of a fuse in an electrical circuit. (1 mark)

.....

.....

.....

- 13. **Figure 4** shows circular water waves incident on a plane reflector placed at an angle to the path of the waves.



**Figure 4**

Complete the diagram to show the reflected waves. (2 marks)



SECTION B (55 marks)

PDF Compressor Free Version

Answer all the questions in this section in the spaces provided.



14. (a) State **two** ways of minimising power losses during the transmission of electric power. (1 mark)

.....

.....

.....

- (b) An electric cooker is rated 2.5 kW, 250 V. State the meaning of these values. (1 mark)

.....

.....

.....

- (c) A consumer has the following appliances in the house:

- *An electric iron rated 1500 W*
- *A water heater rated 500 W*
- *An electric cooker rated 2500 W*
- *Three bulbs each rated 60 W.*

The house is fitted with a 12 A fuse. Determine:

- (i) whether the consumer can connect all the appliances to the 240 V power supply at the same time; (4 marks)

.....

.....

.....

.....

.....

700

Download Notes & More Free Revision Materials at <https://teacher.co.ke/notes>  
A060



- (ii) the resistance of the heating element used in the electric cooker. (3 marks)

**PDF Compressor Free Version**



.....

.....

.....

.....

- 15. (a) Describe how the focal length of a concave mirror can be determined using a screen and a metre rule. (1 mark)

.....

.....

.....

.....

- (b) An object is placed 8 cm from a concave mirror whose radius of curvature is 20 cm. Determine the position of the image. (3 marks)

.....

.....

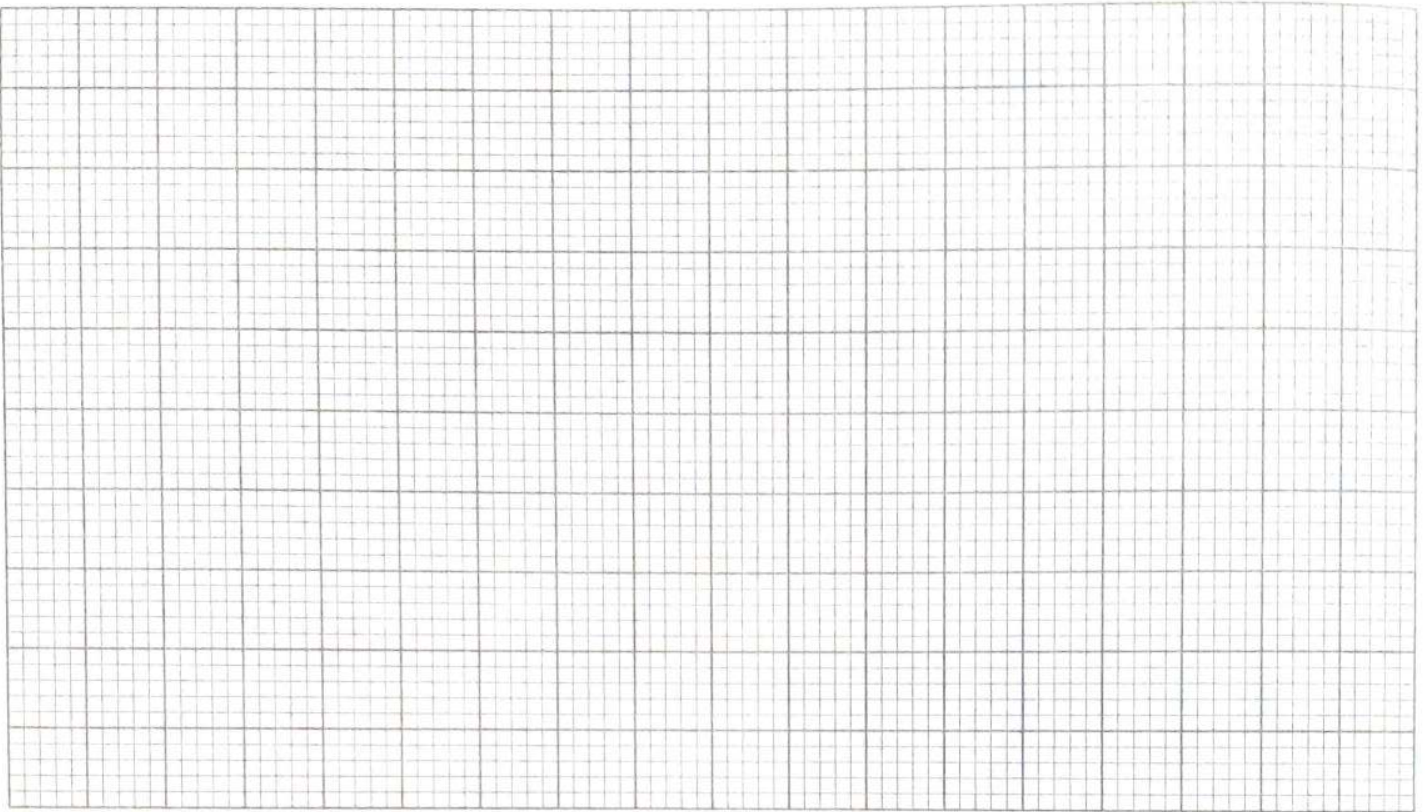
.....

Download Notes & More Free Revision Materials at <https://teacher.co.ke/notes>

(c) An object of height 10 cm is placed 30 cm from a converging lens of focal length 18 cm.

PDF Compressor Free Version

(i) On the grid provided, draw a ray diagram to locate the position of the image formed. (3 marks)



(ii) From the diagram in part (i), determine the:

I. image height; (2 marks)

.....  
.....  
.....

II. image distance. (2 marks)

.....  
.....  
.....



700

Download Notes & More Free Revision Materials at <https://teacher.co.ke/notes>  
A060





16. (a) State **two** uses of radioactivity in medicine. (1 mark)

PDF Compressor Free Version

.....

.....

.....

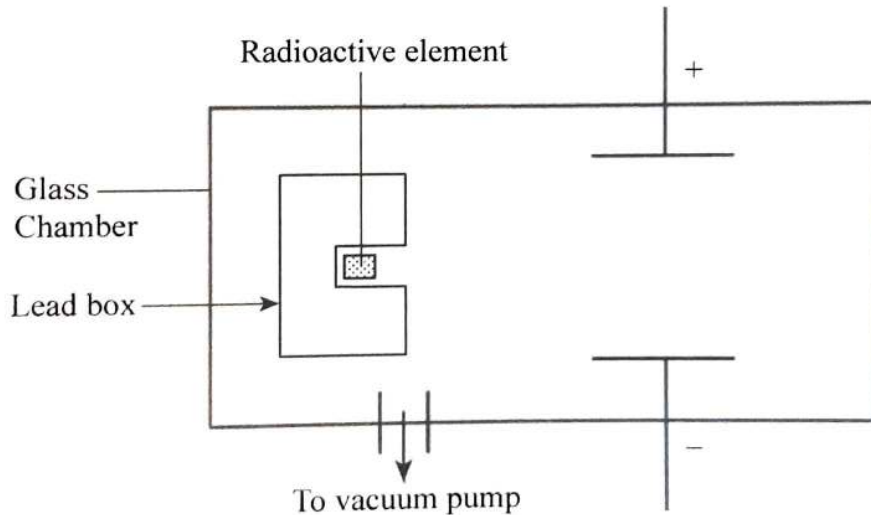
- (b) The following is a nuclear reaction equation:  ${}^6_3\text{Li} + {}^1_0\text{n} \rightarrow {}^3_1\text{H} + {}^x_y\text{P}$
- Determine the values of  $x$  and  $y$ . (2 marks)

.....

.....

.....

- (c) **Figure 5** shows a radioactive element placed in an evacuated glass chamber. The element produces alpha, beta and gamma emissions.



**Figure 5**

The three emissions pass through an electric field.

- (i) Complete the diagram to show the path of each of the emissions. (3 marks)
- (ii) State the reason why:

- I. the radioactive element is kept inside a lead box; (1 mark)

.....

.....

II. the chamber is evacuated.

(1 mark)

**PDF Compressor Free Version**

- (d) (i) Arrange the following electromagnetic waves in the order of decreasing frequency:

*Microwaves; Gamma rays; Radiowaves; X-rays.*

(1 mark)

- (ii) The half life of a certain radioactive substance is 24 days. Given that the initial sample of the substance has a mass of 64 g, determine the mass which is left after 72 days. (2 marks)



17. (a) (i) Name the **three** components of the electron gun in a cathode ray tube.

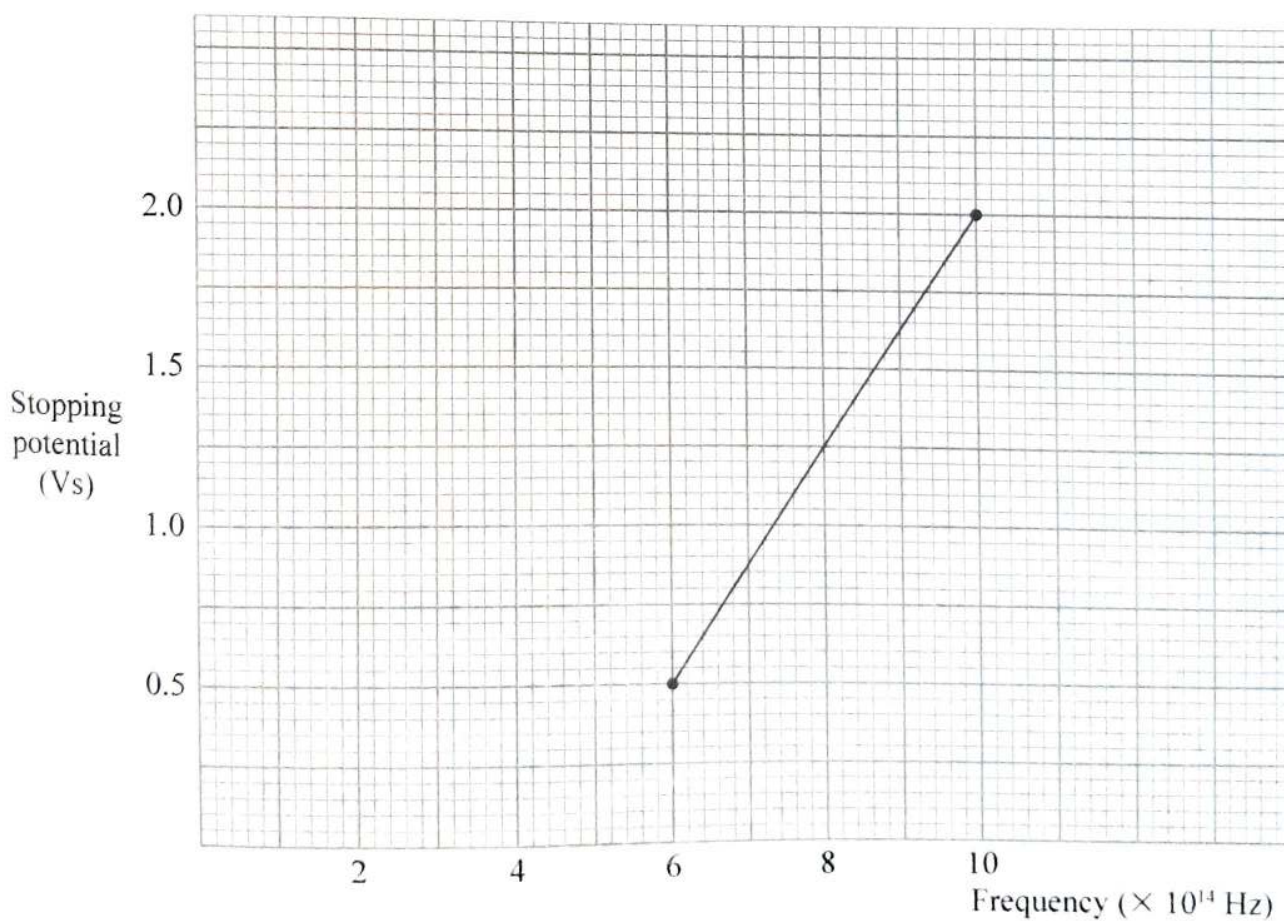
(3 marks)

**PDF Compressor Free Version**

- (ii) State **one** difference between the deflection systems of a cathode ray tube and the television tube.

(1 mark)

- (b) **Figure 6** shows a graph of stopping potential against the frequency for a certain photo emissive surface, drawn by a student from the data collected when carrying out an experiment on photoelectric effect.



**Figure 6**

From the graph, determine the:

(i) threshold frequency of the surface; (3 marks)

.....  
.....  
.....

(ii) plank's constant  $h$ , given that the energy of the incident photon is  $1.6 \times 10^{-19} \text{ J}$ ; (3 marks)

.....  
.....  
.....

(iii) work function of the surface. (3 marks)

.....  
.....  
.....



Download Notes & More Free Revision Materials at <https://teacher.co.ke/notes>

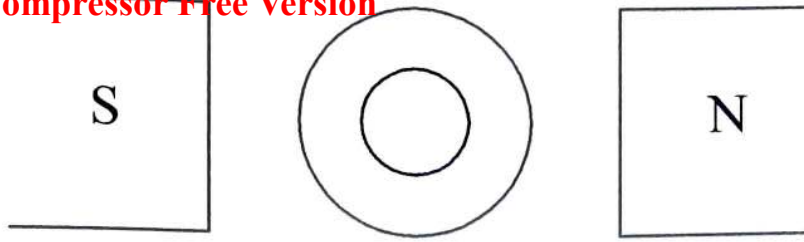
700

A060



18. (a) **Figure 7** shows a soft iron ring placed between the poles of two bar magnets.

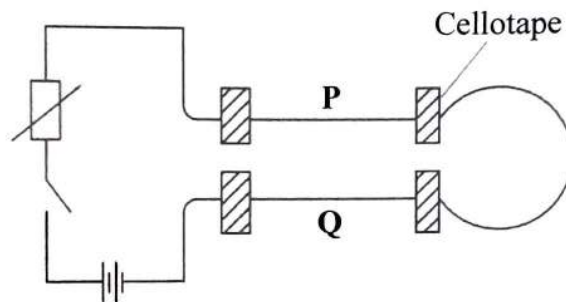
PDF Compressor Free Version



**Figure 7**

On the figure, draw the magnetic field lines between the poles. (2 marks)

- (b) **Figure 8** shows two straight conductors **P** and **Q** connected to a battery and a variable resistor.



**Figure 8**

- (i) Using arrows, indicate on the diagram the direction of current that flows through **P** and **Q** when the switch is closed. (1 mark)
- (ii) State what is observed as the current flows through the conductors. (1 mark)

.....

.....

.....

(3 marks)

(iii) Explain the observation in (ii).

**PDF Compressor Free Version**

.....

.....

.....

.....

.....

.....

(c) (i) State how eddy currents are minimised in a transformer.

(1 mark)

.....

.....

.....

(ii) A step down transformer has 600 turns in the primary coil. The input voltage is 120 V while the output voltage is 24 V. Determine the number of turns in the secondary coil.

(3 marks)

.....

.....

.....

.....

.....

**THIS IS THE LAST PRINTED PAGE.**



**BLANK PAGE**



**BLANK PAGE**

